



# **WCM300aa**

**User Manual**



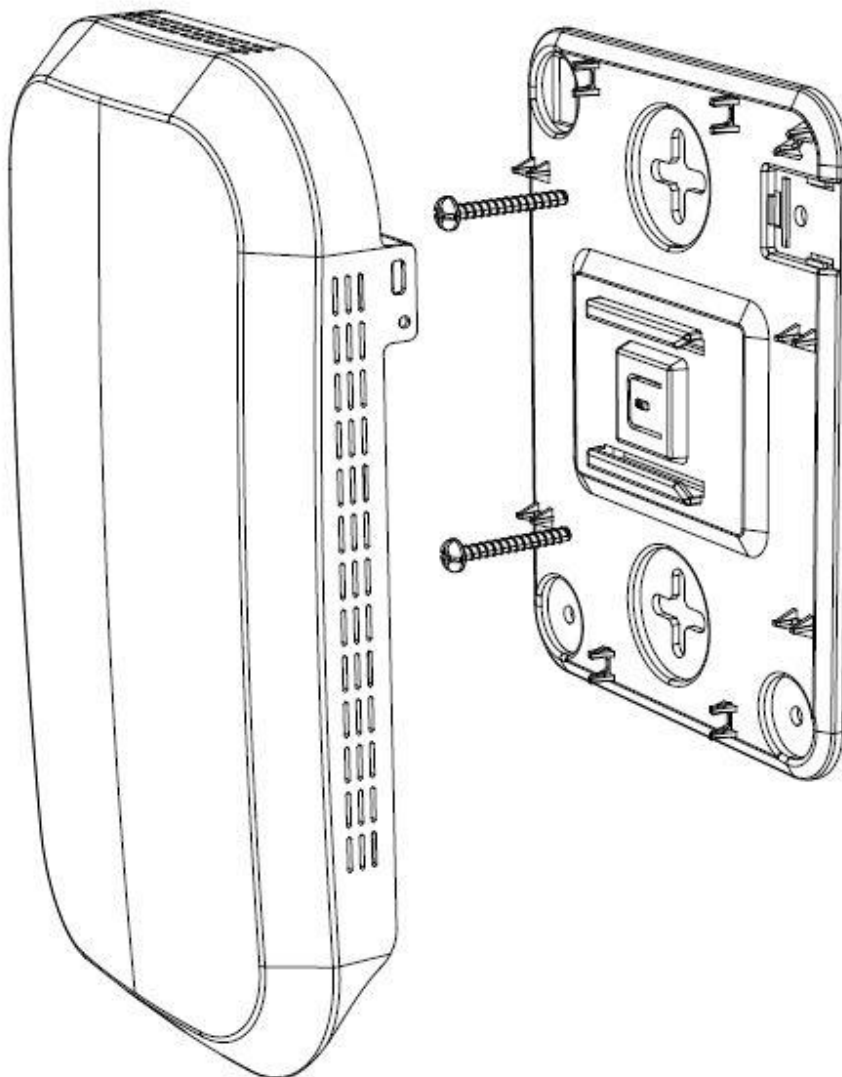
---

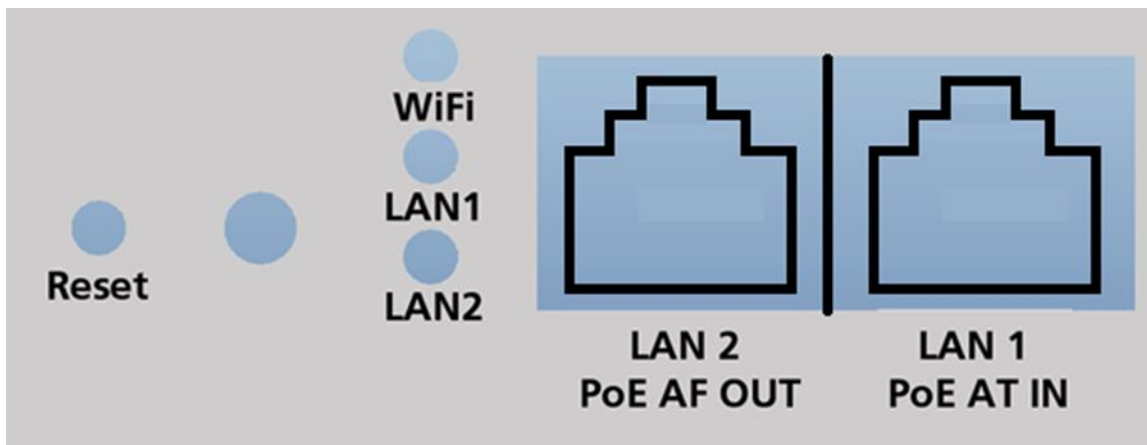
## **Table of Contents**

1	WCM300aa Installation.....	3
2	Easy Setup Wizard.....	6
3	Switch to Standalone Mode.....	8
3.1	Wireless Network – Basic Settings .....	10
3.2	Security Settings .....	11
4	System Tool.....	14
4.1	Password Setup.....	14
4.2	Diagnostic Tool.....	14
4.3	Firmware Upgrade .....	14
4.4	Configuration Backup.....	15
4.5	System/Network Time .....	15
4.6	Restart.....	16
5	System Log.....	16

## 1 WCM300aa Installation

Begin the install of WCM300aa by screwing the bottom plate to a flat surface, then connect the Ethernet and power cables (an alternative can be connect the network cable to a PoE switch which can provide power to WCM300aa). Finalize the installation by mounting the WCM300aa to the bottom plate.





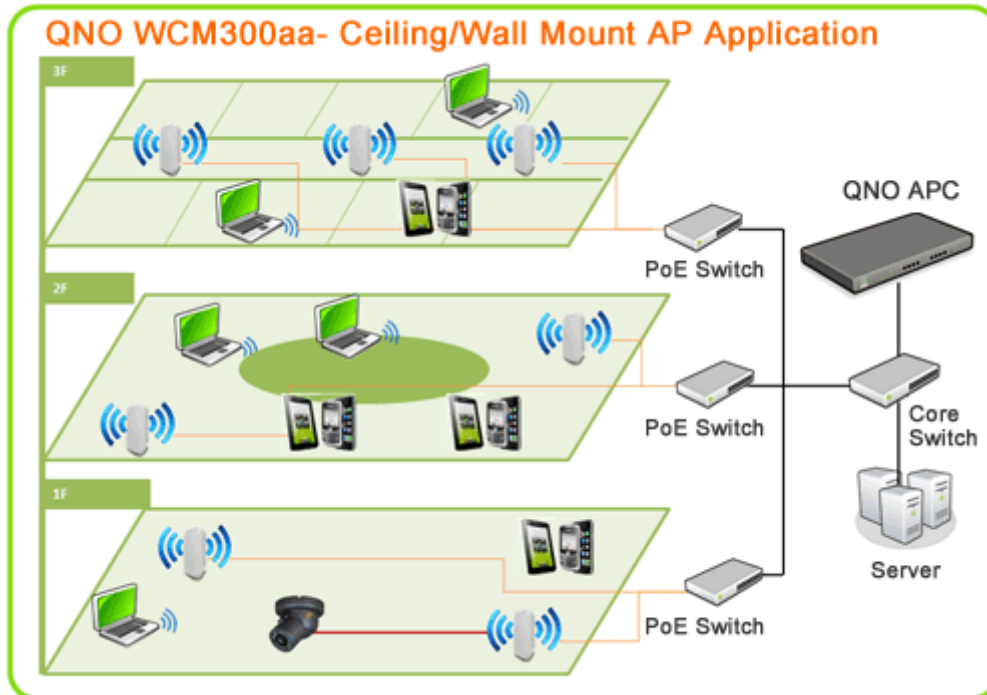
WCM300aa – Front Panel LED signal lights description:

LED	Color	Status
LAN1/LAN2	Green	Active connection
WiFi	Green	Wi-fi is on

WCM300aa – Reset button description:

Action	Status
Press and hold “Reset” for 5 seconds	Reboots the device
Press and hold “Reset” for over 10 seconds	Device returns to factory default settings and reboots

WCM300aa's default network mode is Local AP mode which uses DHCP to automatically receive an IP. In Local AP mode, the AP requires an Access Point Controller for settings configuration. Connect an Ethernet cable from the APC's LAN port to the AP after its installation on premises.

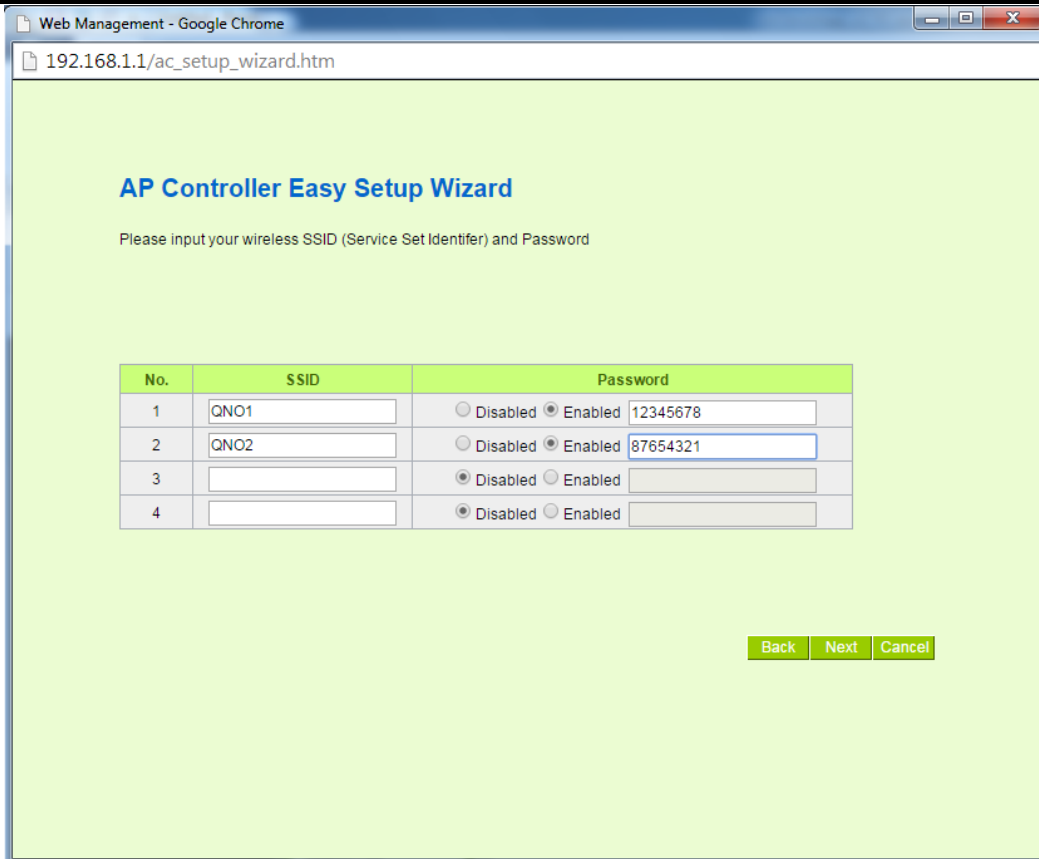


## 2 Easy Setup Wizard

Access Point Controller is capable of simultaneously configure and manage multiple APs, such as, Wi-Fi settings, import/export configuration file, firmware upgrade, reboots, etc... All this can be done from a single interface. Moreover, administrators can monitor APs current status from the same UI.



APC Easy Setup Wizard requires only a few simple steps to complete the local AP settings. Follow the instructions of the Wizard and enter the SSID name and password.



Web Management - Google Chrome  
192.168.1.1/ac\_setup\_wizard.htm

### AP Controller Easy Setup Wizard

Please input your wireless SSID (Service Set Identifier) and Password

No.	SSID	Password	
1	QNO1	<input type="radio"/> Disabled <input checked="" type="radio"/> Enabled	12345678
2	QNO2	<input type="radio"/> Disabled <input checked="" type="radio"/> Enabled	87654321
3		<input checked="" type="radio"/> Disabled <input type="radio"/> Enabled	
4		<input checked="" type="radio"/> Disabled <input type="radio"/> Enabled	

Back Next Cancel

The AP will reboot after its configuration and the settings will take effect. For more details, please check the corresponding chapter in the User Manual.


### 3 Switch to Standalone Mode

WCM300aa will be in Local AP Mode and will use DHCP to get an IP. In cases when DHCP is unable to get IP after 30 seconds, it will use static IP of 192.168.1.1. If you would like to use AP's current IP, please log in using "admin" as the user name and password to switch to Standalone Mode.



After logging in, click on "AP Mode" under Wireless Network and then select "Standalone AP." If the AP's IP Address needs to be set manually, this can be done under "Network Settings" as pictured below.





**QNO**  
your future life

Home

**Wireless Network**

AP Mode

English Logout

http://www.Qno.com.tw/english/ 讯诺科技

AP Mode

AP Mode :  Standalone AP  
 Local AP ( Status: Unmanaged )

Network Settings

IP Address :  DHCP  
 Static IP :      
Subnet Mask :      
Default Gateway :

AC Address

IP Address :

Add to list

Delete selected item

---

## 3.1 Wireless Network - Basic Settings

**Enabled Wireless Network**

---

**Wireless Network**

Network Mode :	11bgn Mixed Mode ▾
Country Code :	TW (Taiwan) ▾
Frequency Channel :	Auto ▾ Scanning
WMM Capable :	<input type="radio"/> Enabled <input checked="" type="radio"/> Disabled <input type="button" value="Advance"/>
Tx Power :	100 (Range 1-100, Default 100)
Channel Bandwidth :	<input type="radio"/> 20 <input checked="" type="radio"/> 20/40

---

**SSID Summary**

No.	Status	SSID	Broadcast SSID	AP Isolation	Security Mode	Access Filter	Guest Access	Edit
1	Enabled	QNO_AP_1	Enabled	Disabled	Disable	Disable	Disabled	<input type="button" value="Edit"/>
2	Disabled	QNO_AP_2	Enabled	Disabled	Disable	Disable	Disabled	<input type="button" value="Edit"/>
3	Disabled	QNO_AP_3	Enabled	Disabled	Disable	Disable	Disabled	<input type="button" value="Edit"/>
4	Disabled	QNO_AP_4	Enabled	Disabled	Disable	Disable	Disabled	<input type="button" value="Edit"/>

Enabled Wireless Network	Turns On or Off Wireless Network.
Network Mode	Recommended setting is 「11bgn Mixed Mode」. The other options are “11b Only”, “11g Only”, “11gn Mixed Mode” and “11n Only”.
Country Code	Select the nearest country.
Frequency Channel	Click the pull-down menu to select the channel to use. To minimize interference, choose a channel that is not being or less used by other wireless networks. Or click on “Scanning” to let the system scan and use the best channel.
Rate (this option will only be displayed when 11bg Mixed Mode, 11b or 11g Only is selected)	Select the best transmission rate of your choosing. Default will automatically adjust to the best rate.
WMM Capable	Enable or Disable Wi-Fi Multimedia function.

Tx Power	Default Transmission Rate is 100, if you would like to reduce Wi-fi coverage, enter a lower value.
Channel Bandwidth	Default as 20 or 40MHz, or manually choose 20MHz.
SSID Summary	Displays statuses of all SSIDs, click on “Edit” to change a particular SSID’s settings.

## 3.2 Security Setting

**Select SSID**

No. :	1 ▼
Status :	<input checked="" type="radio"/> Enabled <input type="radio"/> Disabled
SSID :	QNO_AP_1
BSSID :	00:17:16:FF:AA:ED
Broadcast SSID :	<input checked="" type="radio"/> Enabled <input type="radio"/> Disabled
AP Isolation :	<input type="radio"/> Enabled <input checked="" type="radio"/> Disabled
Guest Access :	<input type="radio"/> Enabled <input checked="" type="radio"/> Disabled
VLAN :	
802.1p :	0 ▼
Flow Limit :	Upstream : 0 Kbit/sec Downstream : 0 Kbit/sec

No.	The number of this particular SSID.
Status	The status of this SSID.
SSID	SSID, also called ESSID, which is a name to identify and create for internet connection. Multiple APs can use the same SSID name.
BSSID	The MAC address of the SSID.
Broadcast SSID	Whether to broadcast the SSID name. When it’s off, client devices are unable to scan the SSID and can only make the connection by manually entering the SSID.
AP Isolation	When enabled, connected wireless clients are isolated from each other.
Guest Access	When enabled, wireless clients cannot interact with other wireless or wired clients, and can only connect to the internet.
VLAN	The 802.1q VLAN ID this SSID will use.
802.1p	The 802.1p value of this SSID will use.
Flow Limit	Upload and download bandwidth control on all devices that connect to this SSID.

▶ Security Mode

Auth Mode :

▶ Wireless Security

WPA Algorithms :  TKIP  AES  Auto

Passphrase :

ReKey Interval :  Seconds (0~4194303)

Security Mode	<p>The authentication method this SSID will use:</p> <p><b>Open/Shared/Auto WEP:</b> Use the WEP authentication method, either 64-bit or 128-bit can be chosen.</p> <p><b>WPA/WPA2 Personal:</b> Use WPA or WPA2 authentication with AES, TKIP or Auto algorithms.</p> <p><b>802.1X/WPA/WPA2 Enterprise:</b> Use Radius server for authentication. Radius server related information must be provided.</p>
---------------	--

▶ WPS Config

WPS :  Enabled  Disabled

AP PIN Code :

WPS Mode :  PIN   PBC

WPS	Enable or Disable WPS
AP PIN Code	The PIN Code for WPS, when WPS is used to establish connection with clients.
WPS Mode	Choose to either manually enter a device identification code or use the software PBC mode, then press “connect” and the device will enter pairing mode. Wait for about 120 seconds for the devices to connect.

▶ WDS Config

WDS :  Enabled  Disabled

AP MAC :

WDS	<p>Enable or Disable Wireless Distribution System</p> <p>(Note: All the APs that have activate WDS must have the same 802.11 mode, channel, SSID, authentication and encryption)</p>
-----	--

AP MAC	The MAC address of the AP that is connecting with WDS. Can either be entered manually or use the “Scanning” button and only one AP can be added.
--------	--

**Wifi Schedule**

Wifi On **Always** ▼ : 00 : 00 to 00 : 00 (24-Hour Format)

**Everyday** :  Sun.  Mon.  Tue.  Wed.  Thu.  Fri.  Sat.

Set up a weekly schedule to activate this SSID at certain times.

**Access Filter**

**Show new MAC address**

**Policy :** Disabled ▼

Add Station MAC :  -  -  -  -  -

Name :

**Add to list**

**Delete selected application**

White or Black client lists for this SSID.

## 4 System Tool

### 4.1 Password Setup

#### ▶ Password Setup

User Name	admin
Password	<input type="text"/>
New Password	<input type="text"/>
Confirm New Password	<input type="text"/>

Set new AP login password.

### 4.2 Diagnostic Tool

DNS Lookup  Ping

Look up domain name

Test the AP's Domain Name resolution and IP Ping.

### 4.3 Firmware Upgrade

#### ▶ Firmware Upgrade

- Warning :**
1. Choosing previous firmware versions will restore all settings to default.
  2. Firmware upgrading may take a few minutes, don't turn off power or press reset.
  3. Don't close the window or disconnect during upgrading process.
  4. Please suspend on-line traffics when upgrading the new firmware.

Firmware Version : v1.0.0.01 (May 9 2014 19:10:39)

Here you can upgrade the AP's firmware. A hardwired connection is recommended, and the upgrade process will take about 5 minutes.

## 4.4 Configuration Backup

### Import Configuration File

### Export Configuration File

Here, the AP's current settings can be backed up and exported to a file or restore previous settings by importing from a previously backed up configuration file. If importing, the device will restart and apply the new settings.

## 4.5 System/Network Time

### Network Time

- Set system time using a NTP server.
- Set system time manually.

Time Zone	Beijing (GMT+08:00) ▼
Daylight Saving	<input type="checkbox"/> Enabled from 06 (Month) 25 (Day) to 12 (Month) 25 (Day)
NTP Server	time.nist.gov

Manually set the system time, or elect to use a NTP server to automatically set the time.

## 4.6 Restart

### ▶ Restart

**Restart Router**

### ▶ Periodic Maintenance

<b>Restart at</b>	00 : 00	(24-Hour Format)
<input type="checkbox"/> <b>Everyday</b>	<input type="checkbox"/> Sun. <input type="checkbox"/> Mon. <input type="checkbox"/> Tue. <input type="checkbox"/> Wed. <input type="checkbox"/> Thu. <input type="checkbox"/> Fri. <input type="checkbox"/> Sat.	

### ▶ Factory Default

**Return to Factory Default Setting**

**Reboot:** immediately restart the device.

**Periodic Maintenance:** set a schedule to restart the device at regular intervals.

**Return to Factory Default Setting:** will restore all settings to factory default.

## 5 System Log

### ▶ Syslog Configuration

**Enable Syslog**

Syslog Server :  Name or IP Address

**View System Log** **Clear Log Now**

For checking the System Log or delete Log entries. Logs can also be exported by using a Syslog Server.